

GENERATOR

PARTS CATALOG

MODEL : TPG4-7000HDX

6000VA 120/240V 60Hz



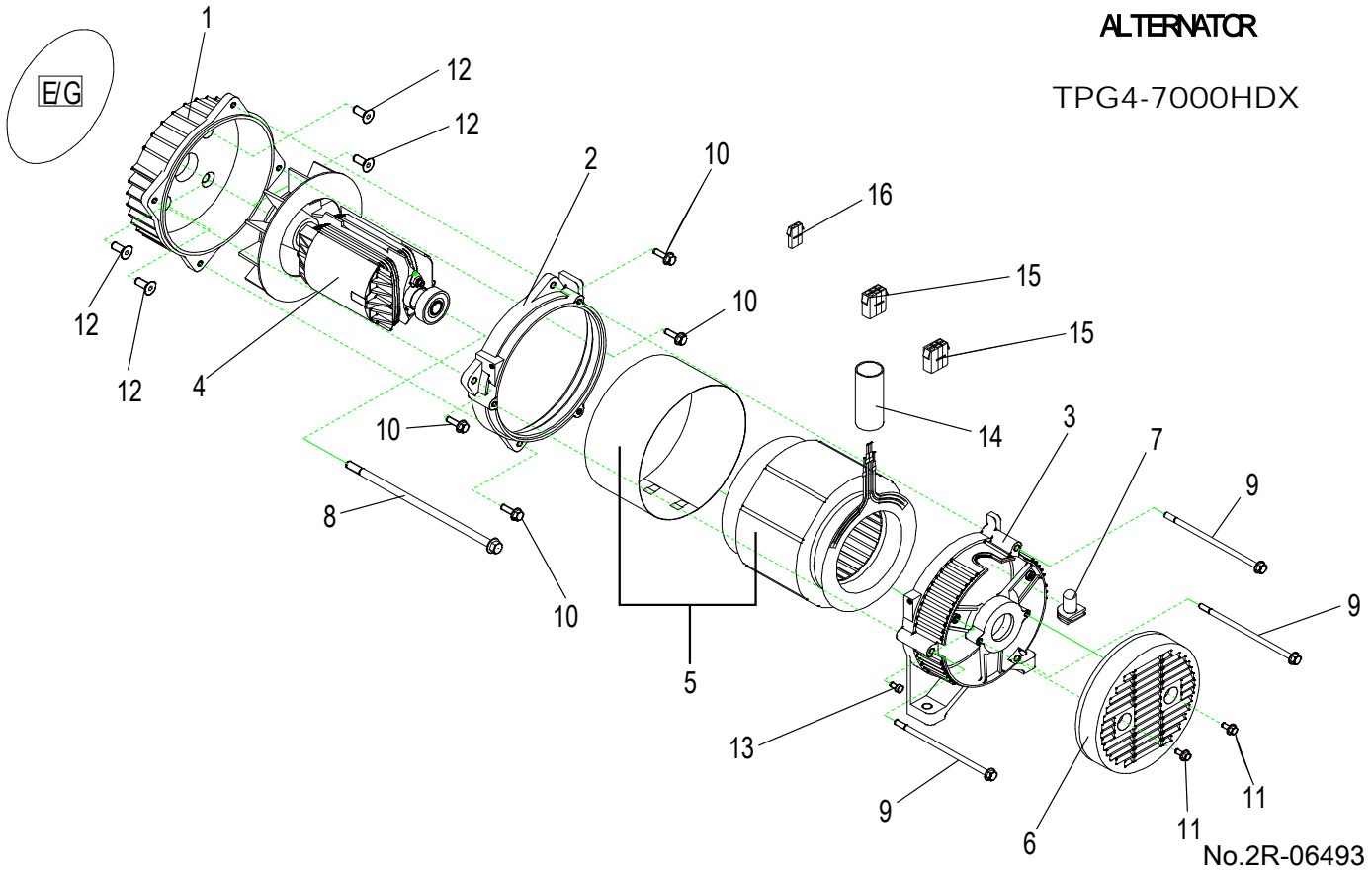
Ver.2

2013. 3

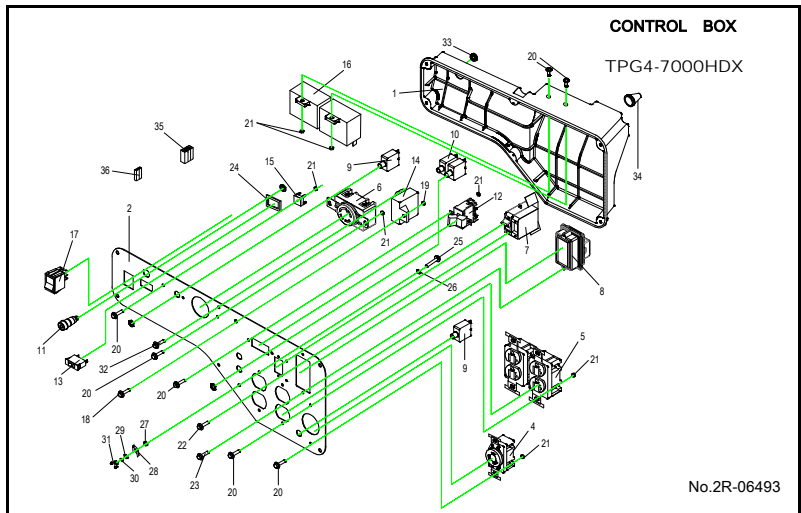
No.2R-06493

ALTERNATOR

TPG4-7000HDX



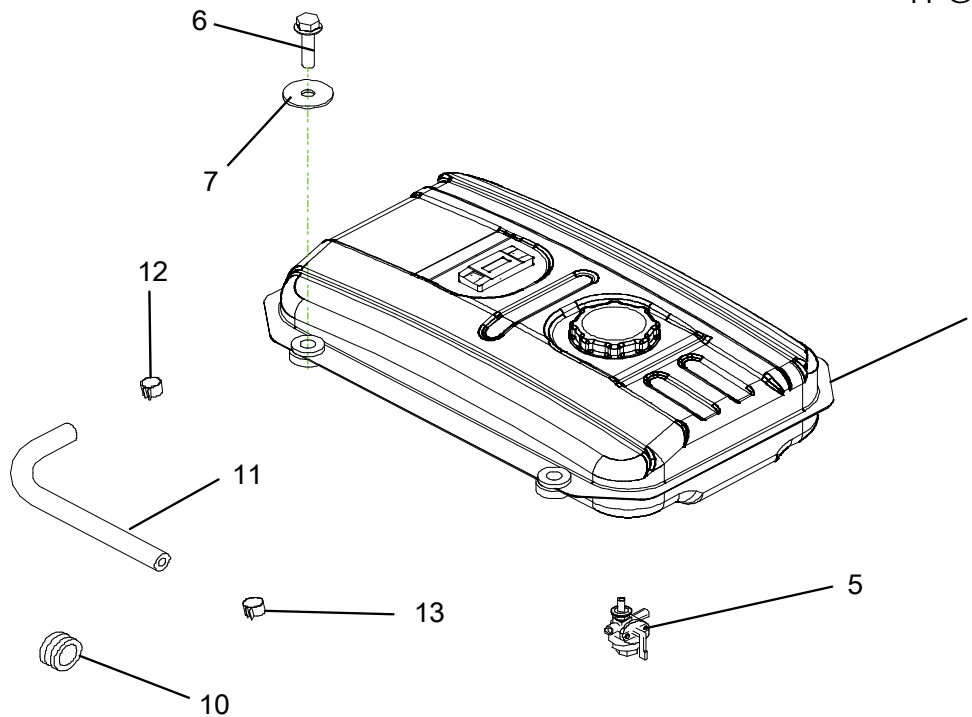
REF No.	Parts No.	Parts name	Q'ty	TPG3 Compatibility	Remarks
1	15411460000	BRACKET (1)	1	○	
2	15311462000	N-BRACKET	1	○	
3	15311461000	BRACKET (2)	1	○	
4	15200432000	ROTOR ASSY	1	○	
5	15250384000	STATOR ASSY	1	○	
6	15311471000	COVER,BRACKET	1	○	
7	15350550000	RUBBER BUSH	1	×	
8	15550156000	HEX,BOLT W/FLANGE(M10×1.25-275)	1	○	
9	15550153000	HEX,BOLT W/FLANGE(M6×1.0-190)	4	○	
10	19B30908020	HEX,BOLT W/FLANGE(M8×1.0-20)	4	○	
11	15550210000	HEX,BOLT W/FLANGE(M5×0.8-12)	2	○	
12	19B50908020	FLAT HEAD BOLT W/SOCKET (M8×1.25-20)	4	○	
13	19S00905007	CROSS RECESSED HEAD SCREW(M5-7)	1	○	
14	15350107000	TUBE,LEAD WIRE	1	○	
15	15400156000	CONNECTOR 6P	2	○	
16	15400160000	CONNECTOR 2P	1	○	



REF No.	Parts No.	Parts name	Q'ty	TPG3 Compatibility	Remarks
1	15350680000	CONTROL BOX	1	x	
2	15601699000	PANEL ASSY	1	x	
3					
4	15400105000	RECEPTACLE 30A, 125V	1	o	
5	15400003000	RECEPTACLE 20A, 125V	2	x	
6	15400106000	RECEPTACLE 30A, 125/250V	1	o	
7	15400541000	CURCUIT BREAKER 25A	1	x	
8	15400559000	UNIT, GFCI	1	x	
9	15400173000	CURCUIT BREAKER 30A	2	o	
10	15400171000	CURCUIT BREAKER 20A	2	o	
11	85111573300	NEON BRACKET, 125V	1	o	
12	15400143000	SWITCH,VOLTAGE SELECTOR	1	o	
13	15400108000	SWITCH,AUTO THROTTLE	1	o	
14	19600700660	CONTROL UNIT,AUTO THROTTLE	1	o	
15	15400240000	BRIDGE DIODE	1	o	
16	15400177000	CONDENSOR ASSY, 18 μ F	2	o	
17	15400253000	ENGINE SWITCH	1	o	
18	19SF4906015	CROSS RECESSED HEAD SCREW (M6-15)	1	o	
19	19N10906000	HEX,NUT W/FLANGE M6	1	o	
20	19SF4904014	CROSS RECESSED HEAD SCREW (M4-14)	13	o	
21	19N10904000	HEX,NUT W/FLANGE M4	13	o	
22	19SF4903005	CROSS RECESSED HEAD SCREW (M3-5)	4	x	
23	19SF4903012	CROSS RECESSED HEAD SCREW (M3-12)	2	x	
24	15301082001	SWITCH SPACER	1	o	
25	15550330000	CROSS RECESSED HEAD SCREW (M5x 25)	1	o	
26	15550331000	TOOTH LOCK WASHER (M5)	1	o	
27	15550329000	HEX,NUT W/FLANGE (M5)	1	o	
28	15301979000	CAP WASHER (M5)	1	o	
29	15550333000	FLAT WASHER (M5)	1	o	
30	15550334000	LOCK WASHER (M5)	1	o	
31	15550335000	WING NUT (M5)	1	o	
32	19S21904012	S C R E W, SELF TAP M4-12	2	o	
33	15350472000	GROMMET	1	o	
34	15321880130	GROMMET PANEL LEAD #2	1	o	
35	15400157000	CONNECTOR 6P	2	o	
36	15400161000	CONNECTOR 2P	1	o	

FUEL TANK

TPG4-7000HDX

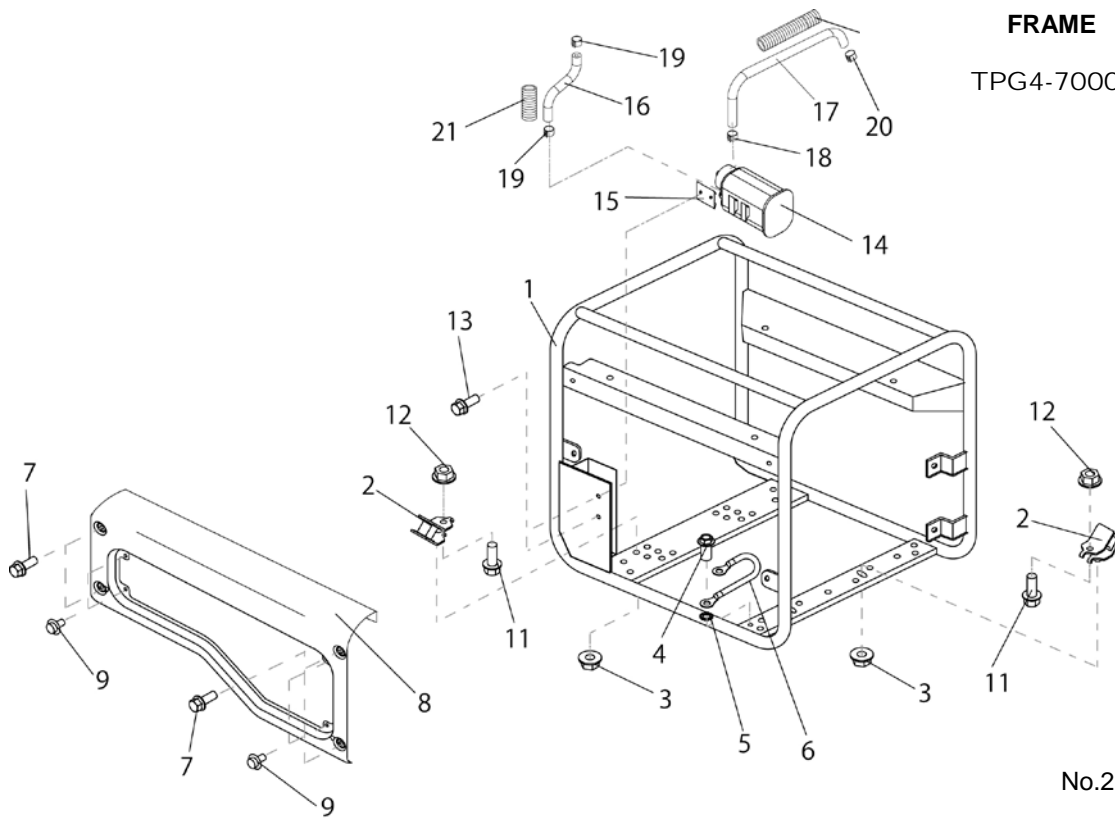


No.2R-06493

REF No.	Parts No.	Parts name	Q'ty	TPG3 Compatibility	Remarks
1	15601800000	FUEL TANK (BLUE)	1	×	WITH LABEL
-		FILTER COMP., FUEL	1		※EXCEPT SPEC LABEL
-		CAP COMP., FUEL FILLER WITH CHAIN	1		
-		GAUGE ASSY., FUEL	1		
-		RUBBER,TANK CUSHION	4		
-		COLLAR,TANK CUSHION	4		
-		SCREW (M5-12)	2		
2	15150135001	FUEL COCK	1	×	
3	19B30906025	HEX,BOLT W/FLANGE (M6×1.0-25)	4	○	
4	19W00906025	WASHER,TANK CUSHION (M6×25,1.6t)	4	○	
5		RUBBER,FUEL TUBE	1		HONDA PART
6	15350696000	TUBE,FUEL (180mm)	1	×	
7		CRIP B8, TUBE	1		HONDA PART
8	15301192000	CRIP,TUBE	1	○	

FRAME

TPG4-7000HDX



No.2R-06493

REF No.	Parts No.	Parts name	Q'ty	TPG3 Compatibility	Remarks
1	15302009000	FRAME	1	x	
2	200900520	ANTI-VIBRATION RUBBER	4	x	
3	203200010	HEX,NUT W/FLANGE(M8X1.25)	4	o	
4	19B30906012	HEX, BOLT W/FLANGE (M6x12)	1	o	
5	19W50906000	TOOTH LOCK WASHER(M6)	1	o	
6	15501130000	BONDING WIRE	1	o	
7	19SS6906016	BOLT, M6-16	6	o	
8	15601798000	CASE, CONTROL ASSY (BLUE)	1	x	WITH RUBBER
9	15550438000	GROSS RECESSED HEAD SCREW(M6-15)	4	x	
10					
11	203000720	HEX, BOLT W/FLANGE (M10x45)	4	x	
12	203200020	HEX,NUT W/FLANGE(M10X1.25)	4	x	
13	19SS6906012	BOLT, M6-12	2	x	
14	15950138000	CARBON CANISTER (C-U-07-022)	1	x	
15	15950141000	STAY , CARBON CANISTER	1	x	
16	15350676000	TUBE , SURGE	1	x	
17	15350678000	TUBE , PURGE	1	x	
18	15302061000	CRIP , φ11.6	1	x	
19	15302060000	CRIP , φ10.0	2	x	
20	15302063000	CRIP , φ14.8	1	x	
21	15350701000	TUBE , CORRUGATE (320mm)	1	x	
22	15350700000	TUBE , CORRUGATE (800mm)	1	x	