

GENERATOR

PARTS CATALOG

MODEL : TPG4-3000HDX

2200VA 120V 60Hz



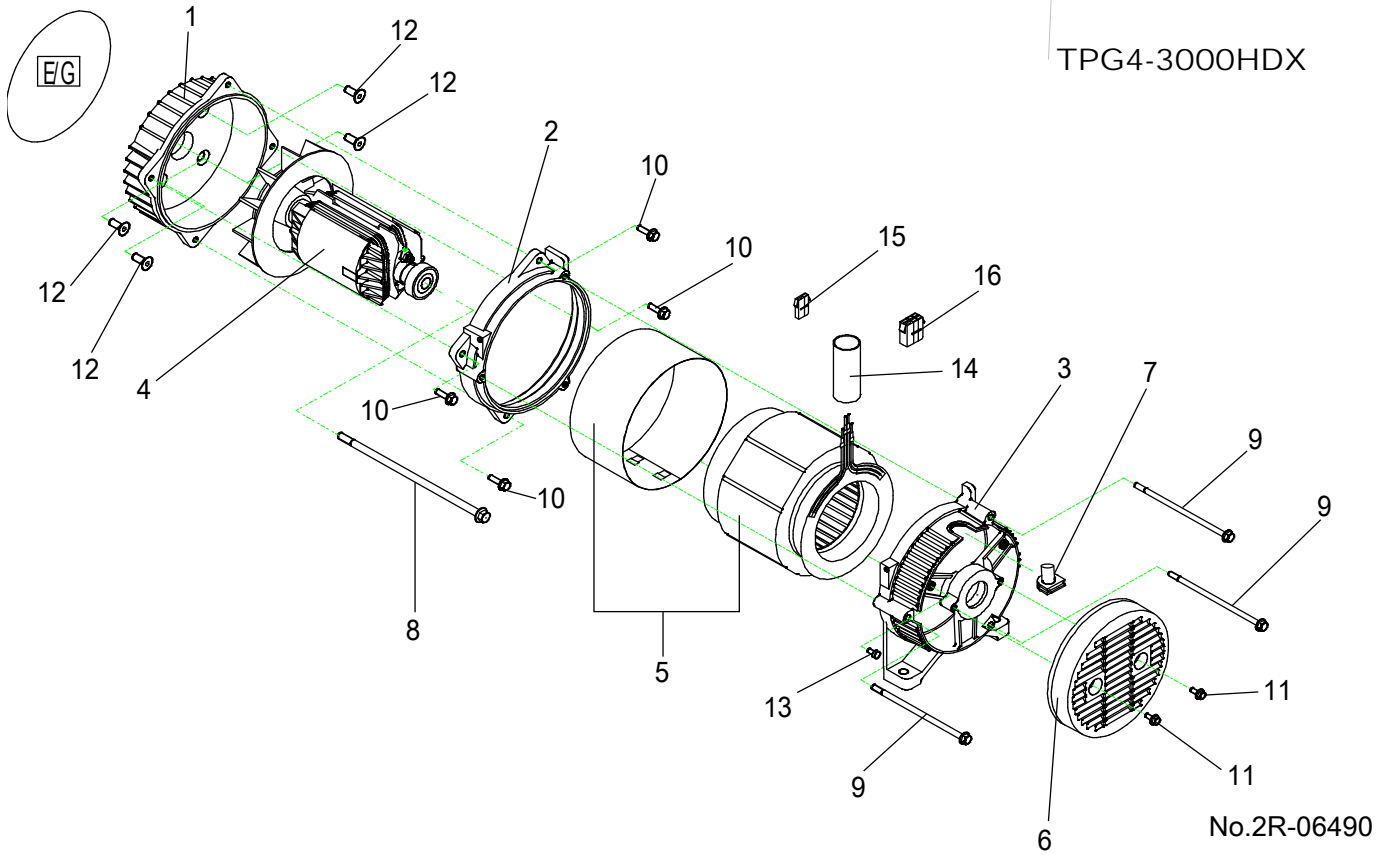
Ver.2

2013. 3

No.2R-06490

ALTERNATOR

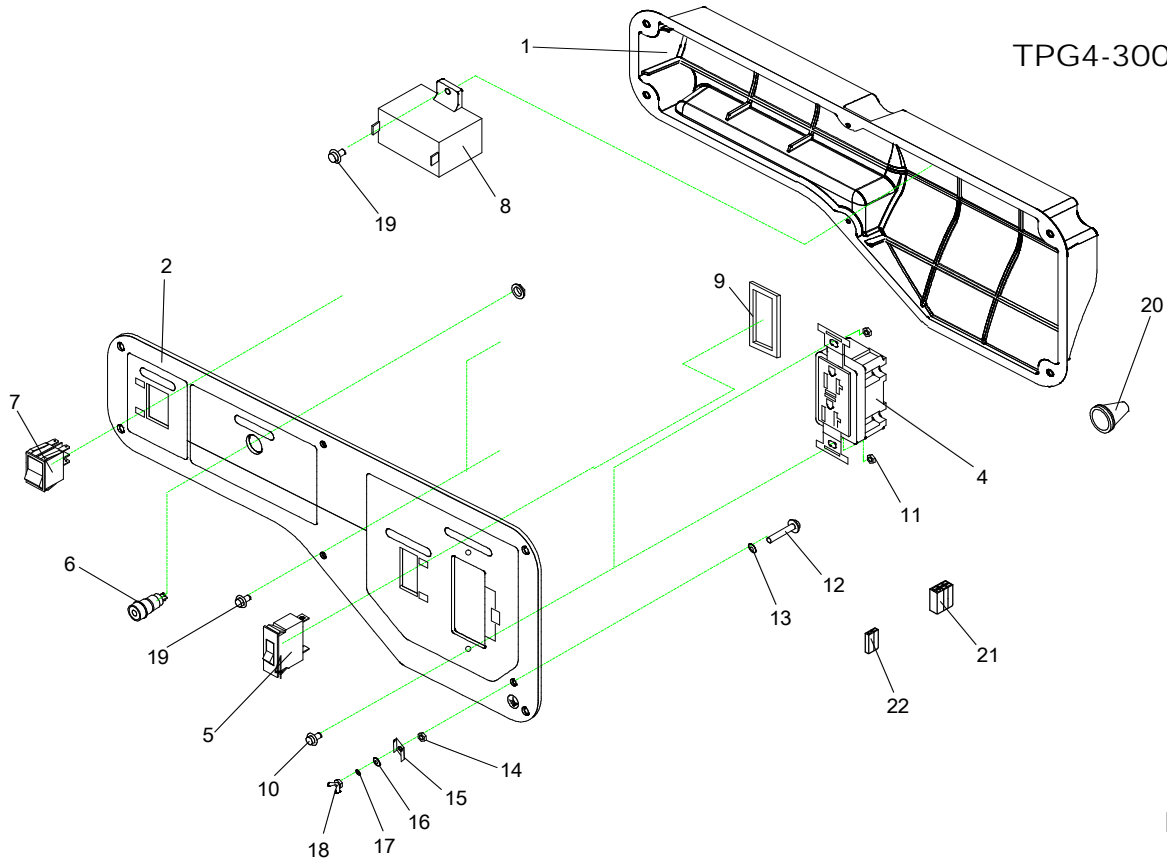
TPG4-3000HDX



REF No.	Parts No.	Parts name	Q'ty	TPG3 Compatibility	Remarks
1	15111460000	BRACKET (1)	1	○	
2	15111462000	N-BRACKET	1	○	
3	15111461000	BRACKET (2)	1	○	
4	15200426000	ROTOR ASSY	1	○	
5	15250378000	STATOR ASSY	1	○	
6	15111471000	COVER,BRACKET	1	○	
7	15350549000	RUBBER BUSH	1	×	
8	15550160000	HEX, BOLT W/FLANGE (M8×215)	1	○	
9	15550158000	HEX, BOLT W/FLANGE (M6×140)	3	○	
10	19B30906020	HEX, BOLT W/FLANGE (M6×20)	4	○	
11	15550210000	HEX, BOLT W/FLANGE (M5×0.8-12)	2	○	
12	19B50908020	HEX, BOLT W/ SOCKET, FLANGE (M8×20)	4	○	
13	19S00905007	CROSS-RECESSED HEAD SCREW (M5×7)	1	○	
14	15350107000	TUBE, LEAD WIRE	1	○	
15	15400160000	CONNECTOR 2P	1	○	
16	15400156000	CONNECTOR 6P	1	○	

CONTROL BOX

TPG4-3000HDX

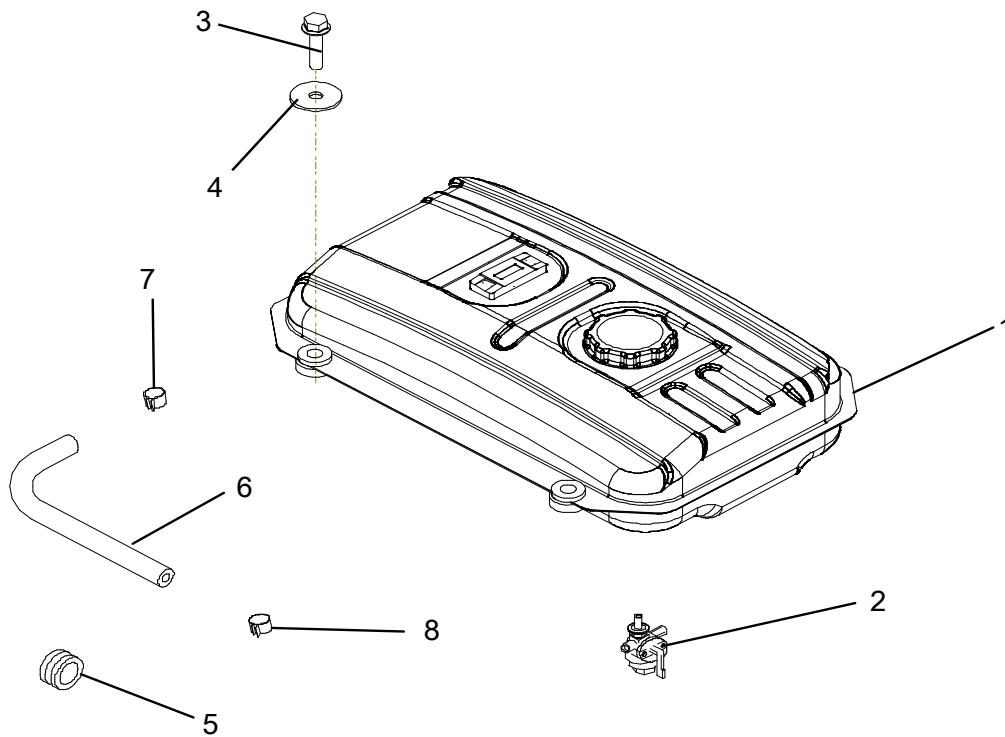


No.2R-06490

REF No.	Parts No.	Parts name	Q'ty	TPG3 Compatibility	Remarks
1	15350690000	CONTROL BOX	1	×	
2	15601696000	PANEL ASSY	1	×	with Panel Label
3					
4	15400104000	RECEPTACLE 20A, 125V , GFCI	1	○	
5	15400137000	CURCUIT BREAKER 20A	1	○	
6	85111573300	NEON BRACKET , 125V	1	○	
7	15400253000	ENGINE SWITCH	1	○	
8	15400174000	CONDENSOR ASSY, 12 μ F	1	×	
9	15301080001	SPACER IBR-1	1	○	
10	19SF4904014	CROSS RECESSED HEAD SCREW (M4-14)	2	○	
11	19N10904000	HEX,NUT W/FLANGE M4	2	○	
12	15550330000	CROSS RECESSED HEAD SCREW(M5x 25)	1	○	
13	15550331000	TOOTH LOCK WASHER (M5)	1	○	
14	15550329000	HEX,NUT W/FLANGE (M5)	1	○	
15	15301979000	CAP WASHER (M5)	1	○	
16	15550333000	FLAT WASHER (M5)	1	○	
17	15550334000	LOCK WASHER (M5)	1	○	
18	15550335000	WING NUT (M5)	1	○	
19	19S21904012	S C R E WSELF TAP M4-12	3	○	
20	15321880130	GROMMET PANEL LEAD #2	1	○	
21	15400157000	CONNECTOR 6P	1	○	
22	15400161000	CONNECTOR 2P	1	○	

FUEL TANK

TPG4-3000HDX

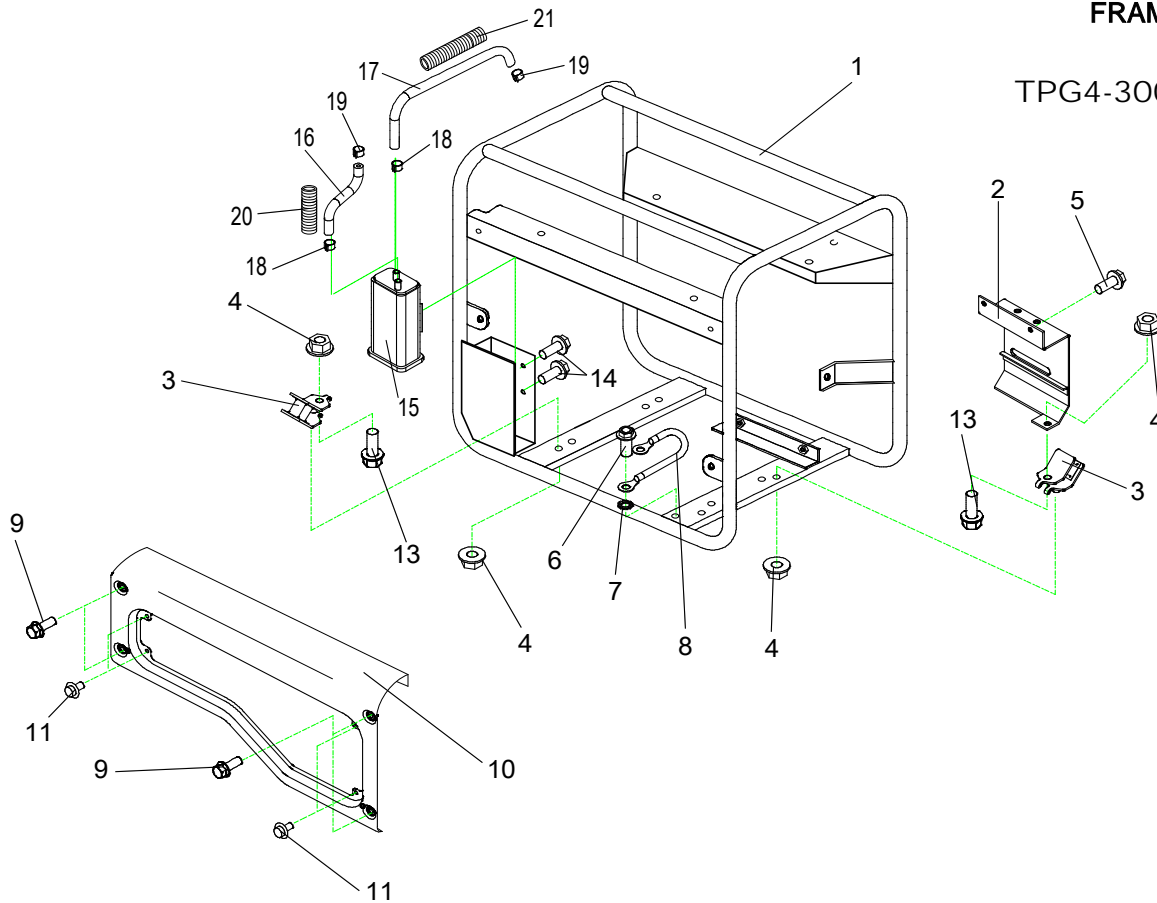


No.2R-06490

REF No.	Parts No.	Parts name	Q'ty	TPG3 Compatibility	Remarks
1	15601799000	FUEL TANK (BLUE)	1	×	with LABEL
-		FILTER COMP., FUEL	1		※EXCEPT SPEC. LABEL
-		CAP COMP., FUEL FILLER WITH CHAIN	1		
-		GAUGE ASSY., FUEL	1		
-		RUBBER,TANK CUSHION	4		
-		COLLAR,TANK CUSHION	4		
-		SCREW (M5-12)	2		
2	15150135001	FUEL COCK	1	×	
3	19B30906025	HEX,BOLT W/FLANGE (M6×1.0-25)	4	○	
4	19W00906025	WASHER,TANK CUSHION (M6×25,1.6t)	4	○	
5		RUBBER,FUEL TUBE	1		HONDA PART
6	15350693000	TUBE,FUEL (240mm)	1	×	
7		CRIP B8, TUBE	1		HONDA PART
8	15301192000	CRIP,TUBE	1	○	

FRAME

TPG4-3000HDX



No.2R-06490

REF No.	Parts No.	Parts name	Q'ty	TPG3 Compatibility	Remarks
1	15302002000	FRAME	1	×	
2	15301617000	BRACKET,MUFFLER	1	○	
3	15350363000	ANTI-VIBRATION RUBBER	4	○	
4	203200010	HEX,NUT W/FLANGE(M8X1.25)	8	○	
5	19B30905012	HEX,BOLT W/FLANGE (M5X0.6-12)	2	○	
6	19B30906012	HEX, BOLT W/FLANGE (M6×12)	1	○	
7	19W50906000	TOOTH LOCK WASHER(M6)	1	○	
8	15501121000	BONDING WIRE	1	○	
9	19SS6906016	BOLT, M6-16	4	○	
10	15601797000	CASE, CONTROL ASSY (BLUE)	1	×	WITH RUBBER
11	15550438000	CROSS RECESSED HEAD SCREW(M6-15)	4	×	
12					
13	19B30908035	HEX, BOLT W/FLANGE (M8×35)	4	○	
14	15550446000	BOLT, M6-14	4	×	
15	15950137000	CARBON CANISTER (C-U-07-009)	1	×	
16	15350677000	TUBE , SURGE	1	×	
17	15350679000	TUBE , PURGE	1	×	
18	15302062000	CRIP , φ13.1	2	×	
19	15302060000	CRIP , φ10.0	2	×	
20	15350701000	TUBE , CORRUGATE (270mm)	1	×	
21	15350700000	TUBE , CORRUGATE (550mm)	1	×	