



MY

SERIES

EXPLOSION PROOF



The **AVANT® MY Series** is a new offering of submersible pumps developed by Tsurumi Pump, a leader in the pump industry since 1924. The **AVANT® MY Series** was created to deliver maximum customer satisfaction, using impressive knowledge in submersible pumps and wastewater treatment equipment. The **AVANT® MY Series** combines quality material and premium engineering to be able to uphold the Tsurumi name. Tsurumi has been a leading company in the field of water solutions for nearly a century.



MY Series

Motors
from 2 to 25 hp operating at 60 Hz

Hydraulics

- Open Channel (**MYB**)
- Vortex (**MYU**)
- Grinder (**MYG**)
- High Head (**MYS**)

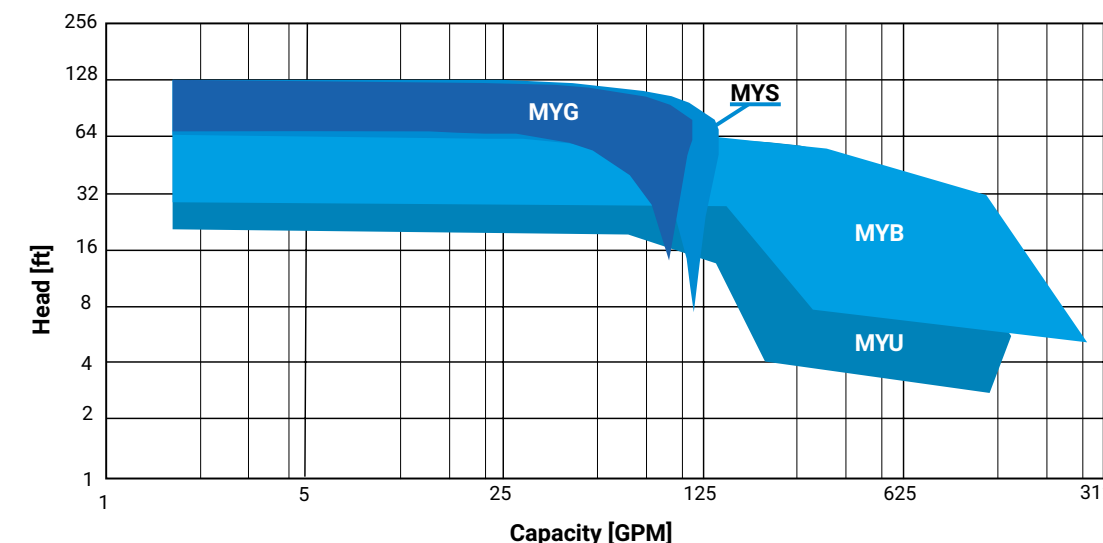
The **AVANT® MY Series** is designed and built with a heavy emphasis on durability and pumping efficiency. These high quality pumps are highly reliable and smooth running compared to other pumps in the marketplace. In addition, for higher versatility, the **AVANT® MY Series** offers four types of impellers (Open Channel, Vortex, Grinder, and High Head). Offered in discharge sizes from 2 in. to 10 in. with 2, 4, and 6 pole motors from 2 to 25 hp.

Specifications

- Cast iron structure
- Three-phase motor from 2 to 25 hp
- Insulation: class H (356°F)
- Protection rating: IP68
- 60 Hz
- Thermal protection devices incorporated in stator
- AISI 431 drive shaft
- Two silicon carbide mechanical seals in large oil chamber
- Discharge from 2" to 10" ANSI Flange
- Large free passage



Overview of operating ranges



Construction materials

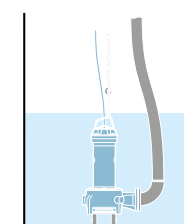
Motor casing	Cast iron GJL-250
Impeller	Cast iron GJL-250
Mechanical seals	Silicon carbide
Nuts and bolts	Stainless steel - class A2-70
Standard gaskets	Viton
Drive shaft	AISI 431 Stainless Steel
Grinder Mechanism	Chromium steel
Paint	Bicomponent epoxy paint with high resistance to corrosion

Operating specifications

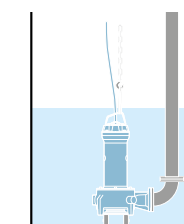
Max operating temperature	104°F
pH of liquid	6 to 14
Max submergence	65 ft
Max liquid density	68 lb/ft ³
Max acoustic pressure	<70 dB
Max. starts/hour	20 (<12 hp) 15 (>12 hp)

Installations and accessories

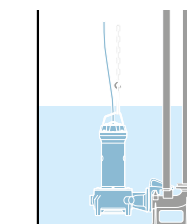
A full range of **accessories** is supplied as standard, to simplify **installation**.



FREE installation



PERMANENT installation



Installation with BOTTOM COUPLER



Base plates

- In cast iron or galvanized steel
- Free standing installation



Guide rail fitting devices

- Cast iron body - stainless steel hardware
- Vertical and horizontal discharge
- 2.5 in. to 10 in. ANSI

Features

HANDLE
Sturdy stainless-steel handle for lifting and transport.

CABLE GLAND
Threaded cable gland allows connection of conduit to protect the power cable from mechanical or chemical damage.

PRESSURIZED TESTING
Every model undergoes pressurized testing to guarantee complete assembly and operation of the gaskets, cable gland, and mechanical seals.

MECHANICAL SEALS
Two silicon carbide mechanical seals protect the motor from water incursion. Isolation in the oil chamber prevents all contact between the mechanical seals and any solids or filaments in the wastewater.

OIL CHAMBER
A large oil chamber promotes longer mechanical seal life. A leakage detection sensor is standard in the oil chamber.



MOTOR
The **AVANT® MY Series** is rated to IP68. Equipped with a high performance induction motor, specifically designed for submersible pumps. These pumps come standard with Class H insulation, rated at 356°F to prevent motor burn out. Capable of up to 20 starts per hour.

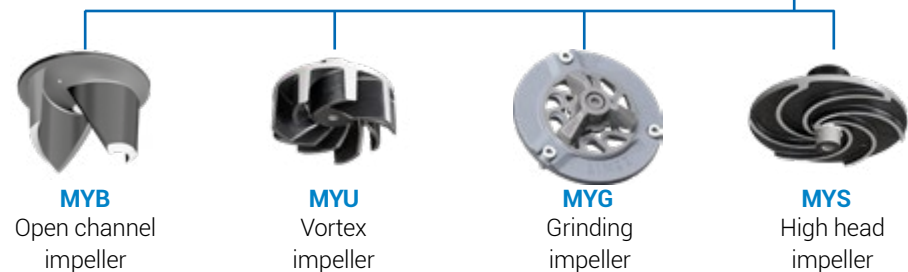
SHAFT
The **AVANT® MY Series** shaft is SUS431 grade stainless steel for superior strength, durability, and corrosion resistance properties. The shaft is tapered for easy assembly/disassembly.

SENSORS
The **AVANT® MY Series** pumps are equipped with thermal sensors embedded on the stator windings that prevents the motor from over-heating. An overheat condition will allow the control panel to shut the pump down. For further protection, the leakage sensor is installed inside the oil chamber, allowing the detection of water intrusion.

ANTI-CLOGGING SYSTEM
The anti-clogging system uses the centrifugal force of the impeller to pull out the stringy material via a spiral groove cut into the diffuser plate. This combination eliminates the fibrous material clogging of the impeller.

PAINT
Bi-component epoxy paint (7.9 thou) is used as standard for all **AVANT® MY Series** pumps. This provides superior corrosion resistance.

MATERIAL
The **AVANT® MY Series** uses FC250 grade cast iron. Compared to other pumps of its class, this type is stronger and more durable. Double silicon carbide mechanical seals are enclosed in the oil chamber, preventing leaks and protecting internal components.



MYB (Open Channel)

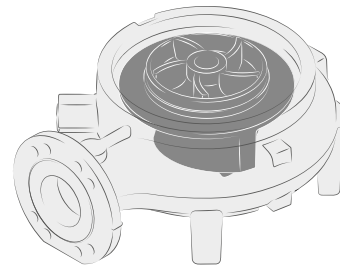


Hydraulics

- Channel impeller
- Full free passage

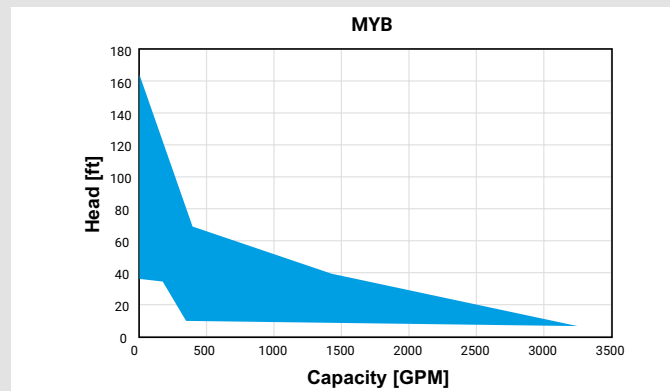
Suitable for

- Solids laden wastewater
- Civil and industrial lift stations
- Sewage treatment systems and livestock wastewater



Range characteristics

Type of impeller	Open Channel
Power (P2)	0.5 - 25 hp
Pole	2 / 4 / 6
Discharge	ANSI 2.5in - 10in
Free passage	max 4.3in
Max flow rate	3250 GPM
Max head	164 ft.



MYG (Grinder)

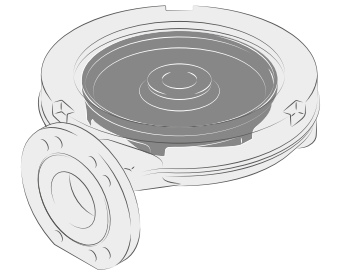


Hydraulics

- Multi-Channel open impeller
- Grinding system with rotary knife

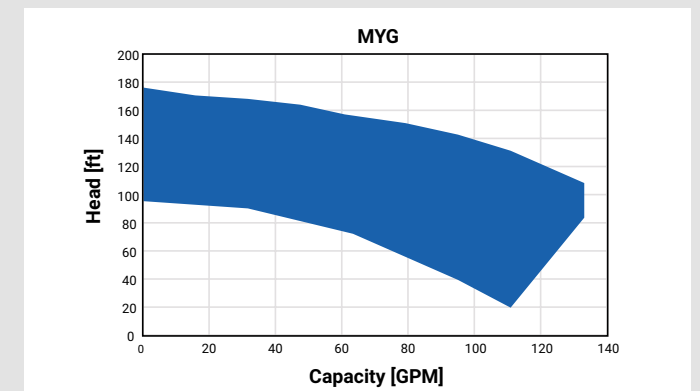
Suitable for

- Soiled liquids containing fibers and filaments
- Commercial, industrial, and municipal applications
- Livestock farms



Range characteristics

Type of impeller	Grinder
Power (P2)	1 - 12 hp
Pole	2
Discharge	ANSI 2in
Free passage	-
Max flow rate	133 GPM
Max head	175ft



MYU (Vortex)

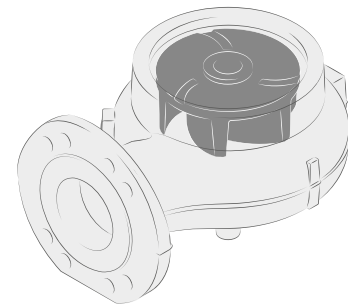


Hydraulics

- Vortex impeller
- Full free passage

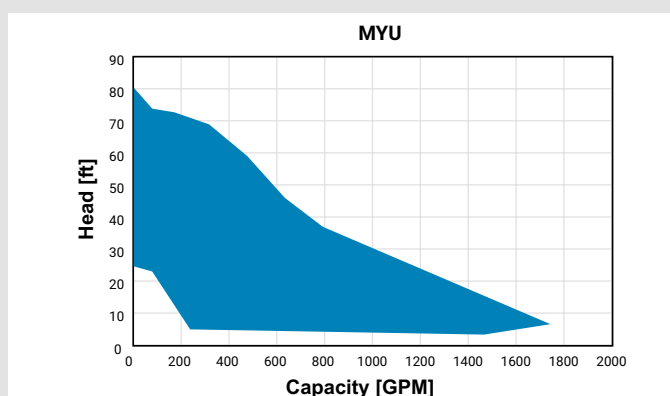
Suitable for

- Industrial and process water recirculation
- Civil lift stations
- Sewage and storm water drainage systems



Range characteristics

Type of impeller	Vortex
Power (P2)	0.5 - 20 hp
Pole	2 / 4 / 6
Discharge	ANSI 2.5in - 6in
Free passage	max 4.9 in.
Max flow rate	1,680 GPM
Max head	80ft



MYS (High Head)

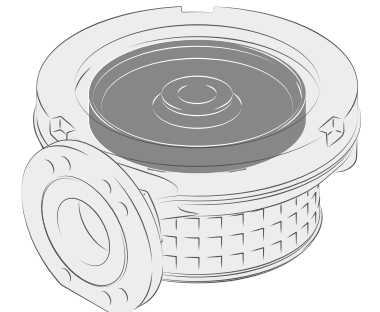


Hydraulics

- Multi-Channel open impeller
- High manometric head

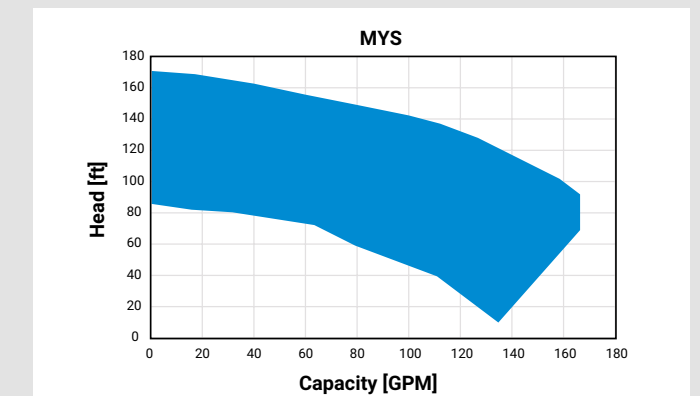
Suitable for

- Clean, rain, and seepage water
- Agriculture, irrigation, livestock farms and water features



Range characteristics

Type of impeller	High Head
Power (P2)	1 - 12 hp
Pole	2
Discharge	ANSI 2in
Free passage	max 0.39 in
Max flow rate	166 GPM
Max head	170ft





Product colors may vary in actual appearance, features are highlighted for illustrative purposes.

Headquarters: 1625 Fullerton Ct, Glendale Heights, IL 60139
Utah Office: 3822 West 1987 South, Salt Lake City, UT 84104
Tel: 1-888-878-7864 (Toll-Free) • 1-630-793-0127
www.tsurumipump.com



Your Dealer



Find us @tsurumiamerica